

INLET Complete type 23761/23771



Step by step to optimal hand sanitation

Efficient hand hygiene at the production entry

Controlled process flow

- Hand cleaning
 - 2 versions: Type 23761 with water/soap mixture
 - Type 23771 with water/soap separated
- Hand drying with high performance hot air blower with integrated F8 air filter (optional with paper dispensers)
- All-round hand disinfection with 4 spray nozzles
- Every step is visualized by a LED symbol light
- Potential-free contact to open automatic doors after completed sanitation process
- Units can be alternatively equipped with a two-arm turnstile supporting easier escape in case of emergency
- Option to connect time recording systems, signal horns, etc.
- Combinable with the ITEC Star Clean IV series
- Left- and right-hand version available

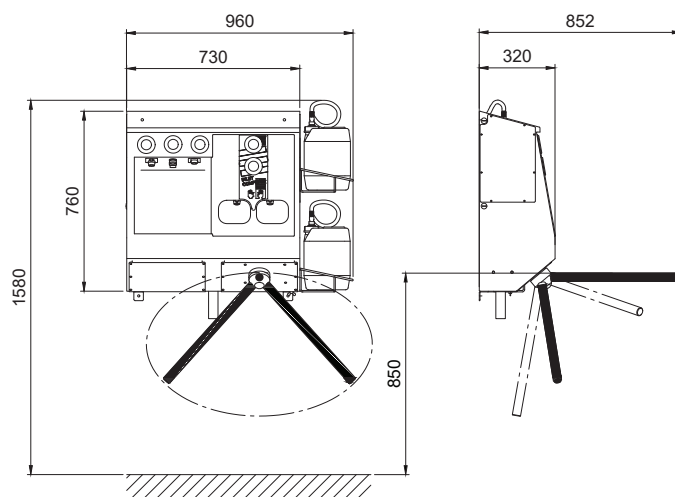




Technical data

Connection to the network	230V/N/PE
Network frequency	50-60 Hz
Rated power	1.9 KW
Voltage	24V DC
Protective device	IP65
Water supply	KW $\frac{1}{2}$ " , WW $\frac{1}{2}$ "
Drain	DN40

Technical data may be subject to changes



INLET Complete type 23771 without turnstile



Star Clean IV type 23882 with Inlet Complete type 23761

Contact

CN: shanghai@frontmatec.com
Phone: +86 215 859 4850

DK: kolding@frontmatec.com
Phone: +45 763 427 00

NL: rijssen@frontmatec.com
Phone: +31 886 294 000

UK: birmingham@frontmatec.com
Phone: +44 121 313 3564

itec-hygiene.com
frontmatec.com

DE: hygiene@frontmatec.com
Phone: +49 252 185 070

ES: barcelona@frontmatec.com
Phone: +34 932 643 800

RU: moscow@frontmatec.com
Phone: +7 495 424 9559

US: kansascity@frontmatec.com
Phone: +1 816 891 2440